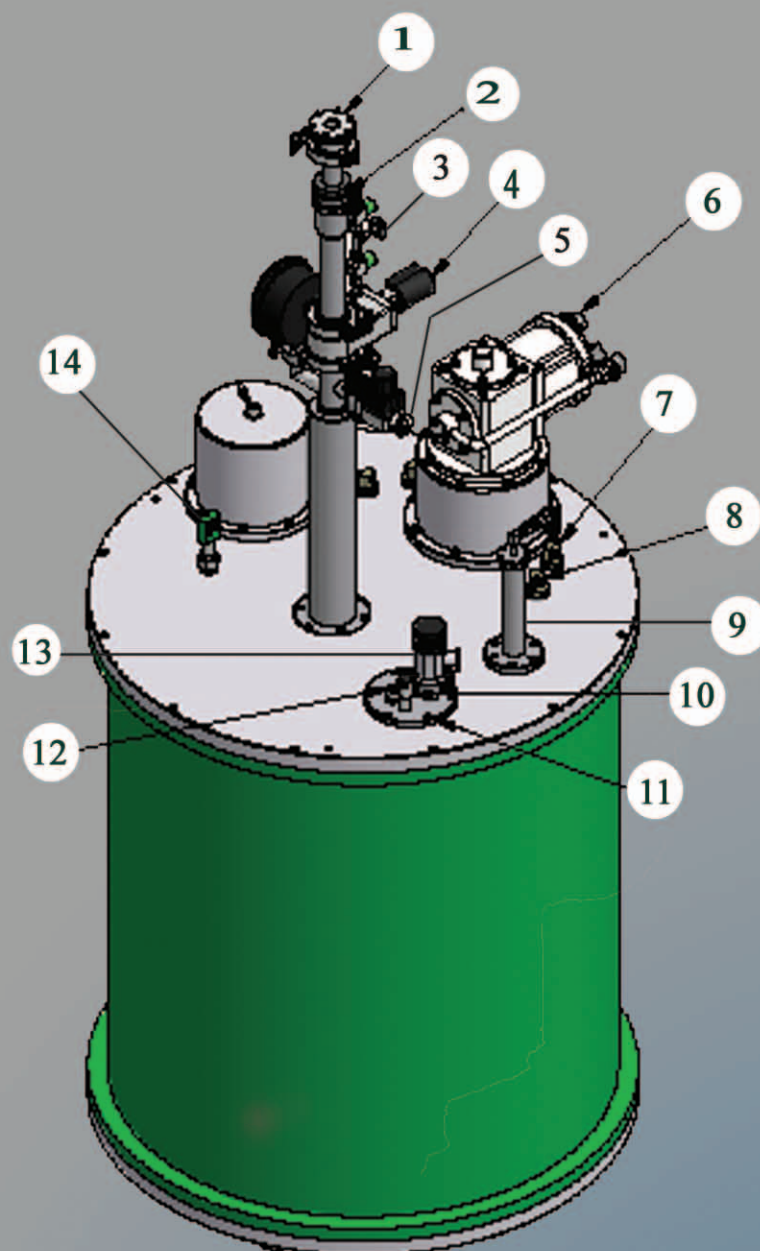


# CRYOGEN FREE ESR/EPR MEASUREMENT SYSTEM

1. ESR probe
2. Probe height clamp
3. Airlock pump port
4. NW40KF gate valve
5. VTI pump valve
6. Sumitomo cryocooler 415
7. 14 Tesla magnet terminal
8. Magnet protection terminal
9. Gas reservoir connection
10. Cryostat overpressure
11. Instrumentation flange
12. Thermometer connector
13. Cryostat vacuum valve
14. Needle valve



**CRYOGENIC Ltd.**  
30 Acton Park Industrial Estate  
The Vale, London W3 7QE, UK  
Tel: +44 (20) 8743 6049  
Fax: +44 (20) 8749 5315  
E-mail: [info@cryogenic.co.uk](mailto:info@cryogenic.co.uk)

[www.cryogenic.co.uk](http://www.cryogenic.co.uk)

**CRYOGENIC**  
CRYOGENIC LIMITED