

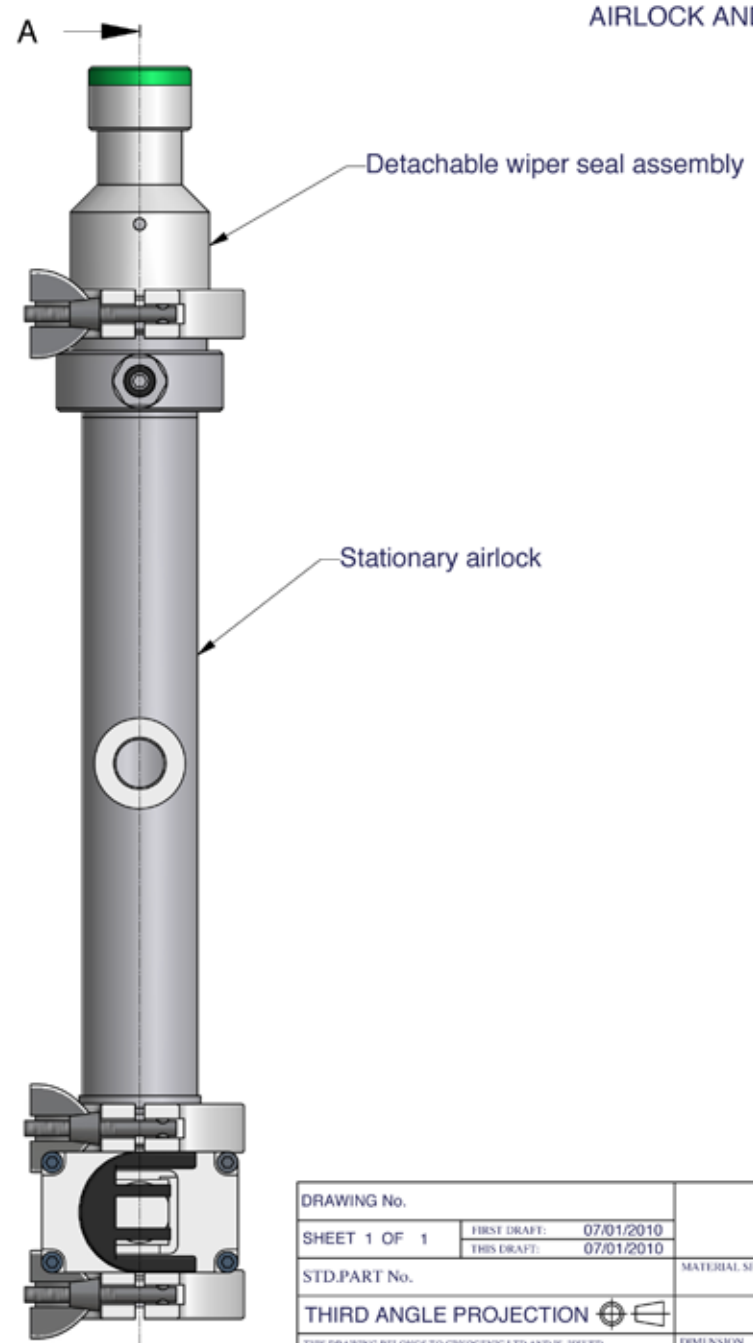
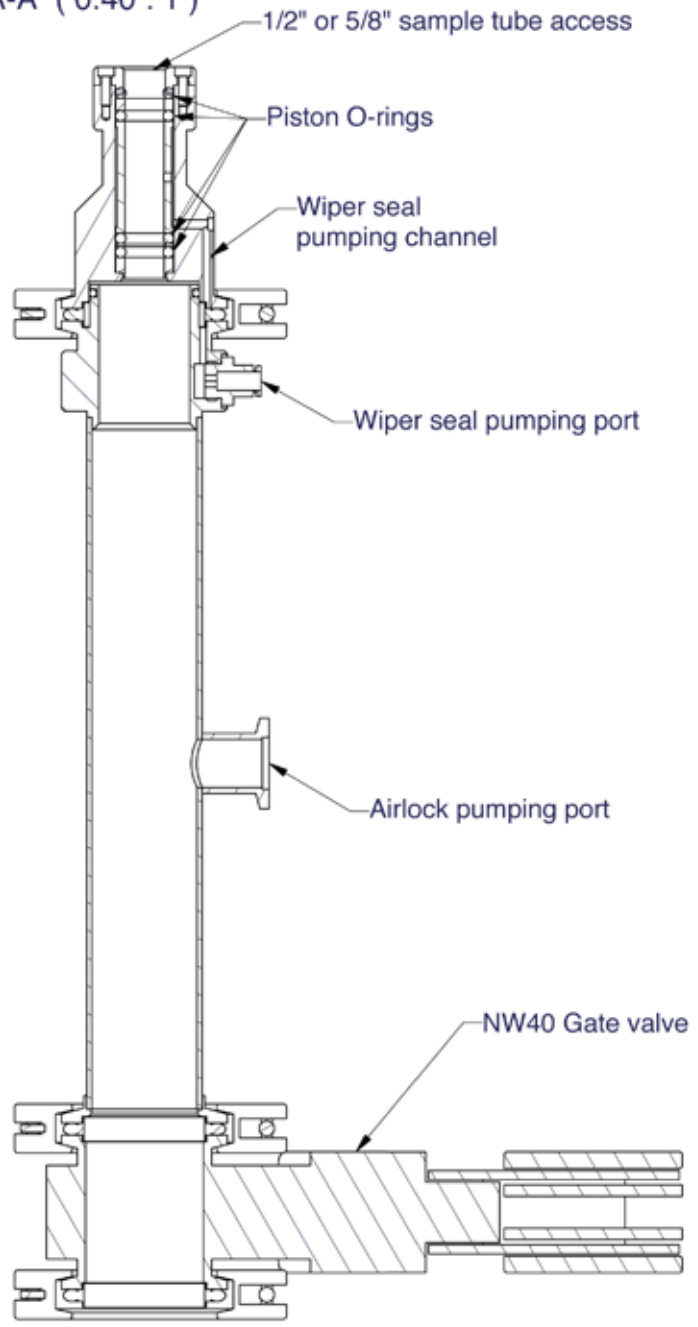
DRAWING No.		CRYOGENIC LTD	
SHEET 1 OF 1	FIRST DRAFT: 24/08/2009 THIS DRAFT: 19/08/2009		
STD.PART No.		MATERIAL SPECIFICATION	CUSTOM FINISH
THIRD ANGLE PROJECTION		Complete Measurement System with VSM	
<small>THIS DRAWING BELONGS TO CRYOGENIC LTD AND IS ISSUED ON THE CONDITION THAT IT IS NOT COPIED, REPRINTED OR DISCLOSED EITHER IN WHOLE OR IN PART TO A THIRD PARTY WITHOUT THE PRIOR CONSENT OF CRYOGENIC LTD, ACTON PARK IND. ESTATE, THE VALL, LONDON W3 7QG</small>		DIMENSION	TOLERANCE (UNLESS STATED)
		MM	± 0.1
DRAWN BY: TH		REVIEWED BY:	JOB NUMBER
12/30/18			QUANTITY



DRAWING No.		CRYOGENIC LTD	
SHEET 1 OF 1	FIRST DRAFT: 24/08/2009 THIS DRAFT: 19/08/2009		
STD.PART No.		MATERIAL SPECIFICATION	CUSTOM FORM
THIRD ANGLE PROJECTION		Overall assembly Sumitomo rp-082b	
THIS DRAWING BELONGS TO CRYOGENIC LTD AND IS LOANED TO THE CUSTOMER THAT IT IS NOT TO BE REPRODUCED OR DISCLOSED EITHER IN WHOLE OR IN PART TO A THIRD PARTY WITHOUT THE WRITTEN CONSENT OF CRYOGENIC LTD. ACTON PARK IND. ESTATE, UXTYALL, LONDON W3 7QB		DIMENSIONS: MM	TOLERANCE: UNLESS STATED: ±0.1
12/30/18		DRAWN BY: TH	REVIEWED BY:
			QUANTITY:

A-A (0.40 : 1)

AIRLOCK AND WIPER SEAL ASSEMBLY



DRAWING No.		CRYOGENIC LTD	
SHEET 1 OF 1	FIRST DRAFT: 07/01/2010 THIS DRAFT: 07/01/2010		
STD.PART No.		MATERIAL SPECIFICATION	CUSTOM FINISH
THIRD ANGLE PROJECTION		Airlock and Wiper Seal	
THIS DRAWING BELONGS TO CRYOGENIC LTD AND IS ISSUED ON THE CONDITION THAT IT IS NOT COPIED, REPRINTED OR DISCLOSED EITHER IN WHOLE OR IN PART TO A THIRD PARTY WITHOUT THE PRIOR CONSENT OF CRYOGENIC LTD, ACTON PARK IND. ESTATE, THE VALL, LONDON W3 7QE		DIMENSION MM TOLERANCE (UNLESS STATED) ±0.1	JOB NUMBER
DRAWN BY: YB		REVIEWED BY:	QUANTITY
16.04.45			