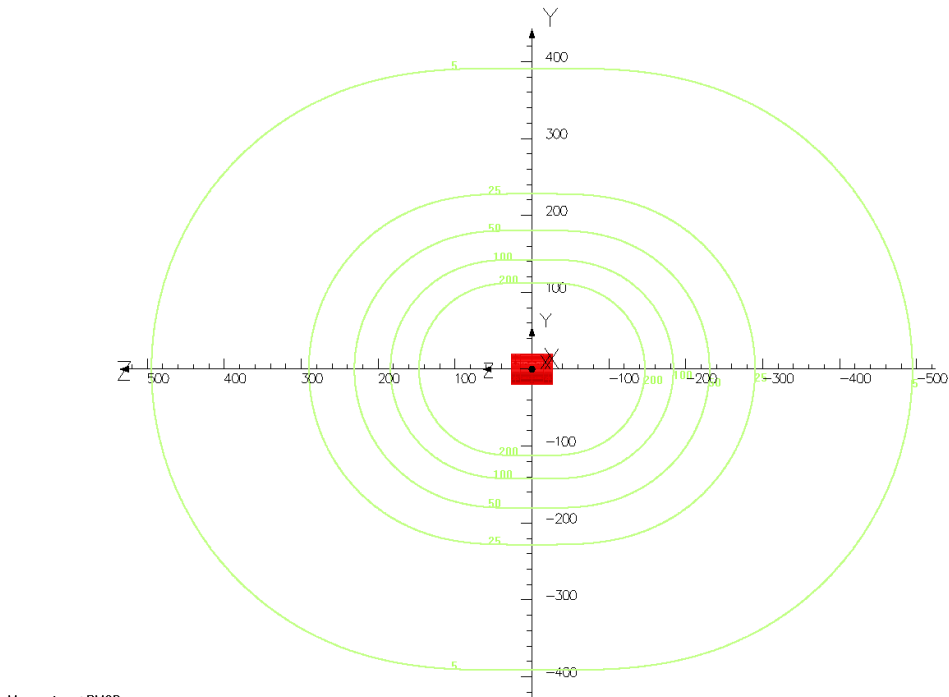


**5 Tesla Cryogen-Free 300 mm Room Temperature Bore magnet
with rotating stand**

5 Tesla Room Temperature Bore Specifications

Maximum Magnetic field Range	5 tesla
Room temperature bore diameter	300 mm
Central field homogeneity	95% over $\varnothing 300$ mm ± 100 mm on Z axis
Cryostat total height (vertical)	1100 ± 10 mm
Cryostat total height (horizontal)	1414 ± 10 mm
Cryostat body diameter	750 mm
Cold Head and Compressor	Sumitomo RDK-415D Sumitomo F50
Chiller Model	TAE-015

Stray Field at 5T



Map contours: BMOD
2.000000E+002 to 2.000000E+002
Integral = 2.000287E+008

Stray Field at 5T

Figure 1: Stray Field plot at 5 Tesla

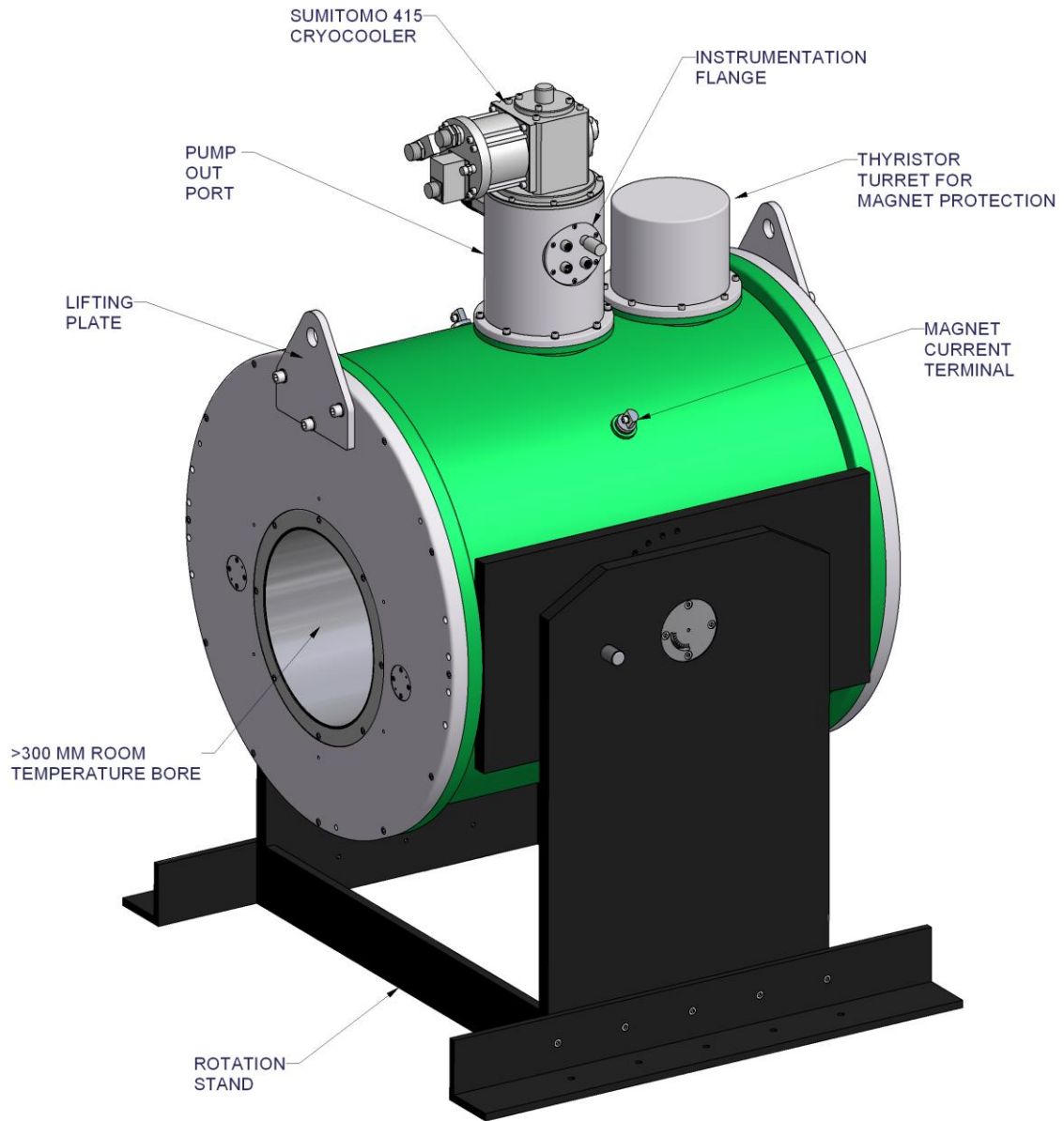


Figure 2: Overall Assembly Drawing

Please [contact Cryogenic](#) for further details and pricing